



**World Wide Metric, Inc.**

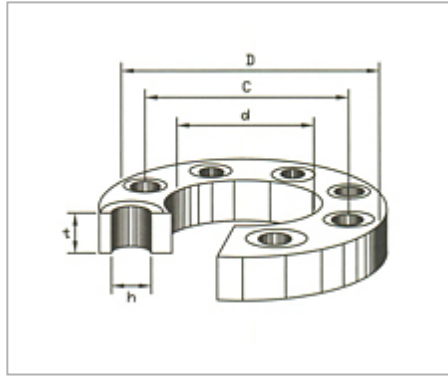
37 Readington Road

Branchburg, New Jersey 08876

**Phone:** 732-247-2300 • **Fax:** 732-247-7258

**E-Mail:** [sales@worldwidemetric.com](mailto:sales@worldwidemetric.com) • **Web site:** [www.worldwidemetric.com](http://www.worldwidemetric.com)

## Flat Faced Slip-On Flanges DIN PN10 Steel



1 2

<u>Item #</u>	<u>Size</u>	<u>d</u>	<u>D</u>	<u>C</u>	<u>Number of Bolts</u>	<u>h</u>	<u>t</u>
<a href="#">D2576-10-010</a>	010 - 3/8"	17.7 mm	90 mm	60 mm	4	14 mm	14 mm
<a href="#">D2576-10-015</a>	015 - 1/2"	22.2 mm	95 mm	65 mm	4	14 mm	14 mm
<a href="#">D2576-10-020</a>	020 - 3/4"	27.6 mm	105 mm	75 mm	4	14 mm	16 mm
<a href="#">D2576-10-025</a>	025 - 1"	34.4 mm	115 mm	85 mm	4	14 mm	16 mm
<a href="#">D2576-10-032</a>	032 - 1-1/4"	43.1 mm	140 mm	100 mm	4	18 mm	16 mm
<a href="#">D2576-10-040</a>	040 - 1-1/2"	49 mm	150 mm	110 mm	4	18 mm	16 mm
<a href="#">D2576-10-050</a>	050 - 2"	61.1 mm	165 mm	125 mm	4	18 mm	18 mm
<a href="#">D2576-10-065</a>	065 - 2-1/2"	77.1 mm	185 mm	145 mm	4	18 mm	18 mm
<a href="#">D2576-10-080</a>	080 - 3"	88.9 mm	200 mm	160 mm	8	18 mm	20 mm
<a href="#">D2576-10-100</a>	100 - 4"	115.9 mm	220 mm	180 mm	8	18 mm	20 mm
<a href="#">D2576-10-125</a>	125 - 5"	141.6 mm	250 mm	210 mm	8	18 mm	22 mm
<a href="#">D2576-10-150</a>	150 - 6"	170.5 mm	285 mm	240 mm	8	22 mm	22 mm

<u>Item #</u>	<u>Size</u>	<u>d</u>	<u>D</u>	<u>C</u>	<u>Number of Bolts</u>	<u>h</u>	<u>t</u>
<u>D2576-10-175</u>	175 - 7"	196.1 mm	315 mm	270 mm	8	22 mm	24 mm
<u>D2576-10-200</u>	200 - 8"	219.1 mm	340 mm	295 mm	8	22 mm	24 mm
<u>D2576-10-250</u>	250 - 10"	273 mm	395 mm	350 mm	12	22 mm	26 mm
<u>D2576-10-300</u>	300 - 12"	323.9 mm	445 mm	400 mm	12	22 mm	26 mm
<u>D2576-10-350</u>	350 - 14"	355.6 mm	505 mm	460 mm	16	22 mm	30 mm
<u>D2576-10-400</u>	400 - 16"	406.4 mm	565 mm	515 mm	16	26 mm	32 mm
<u>D2576-10-450</u>	450 - 18"	457 mm	615 mm	565 mm	20	26 mm	36 mm
<u>D2576-10-500</u>	500 - 20"	508 mm	670 mm	620 mm	20	26 mm	38 mm
<u>D2576-10-600</u>	600 - 24"	610 mm	780 mm	725 mm	20	30 mm	42 mm
<u>D2576-10-700</u>	700 - 28"	711 mm	895 mm	840 mm	24	30 mm	50 mm
<u>D2576-10-800</u>	800 - 32"	813 mm	1015 mm	950 mm	24	33 mm	56 mm
<u>D2576-10-900</u>	900 - 36"	914 mm	1115 mm	1050 mm	28	33 mm	62 mm
<u>D2576-10-1000</u>	1000 - 40"	1016 mm	1230 mm	1160 mm	28	36 mm	70 mm